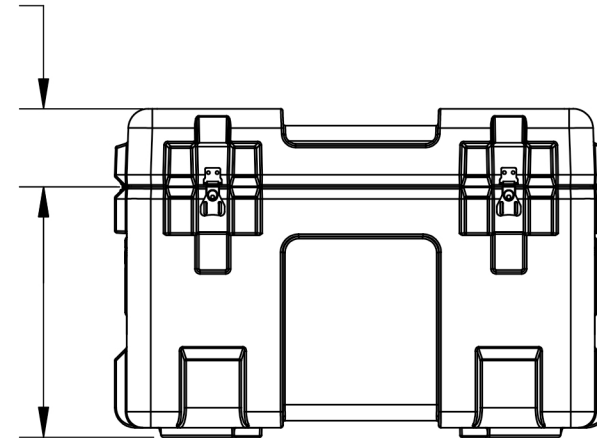


4.88"
(3.63")



3R2727-18



NOTE: DIMENSIONS IN (X.XX") ARE ID

434 West Levers Place
Orange, CA 92867
Phone: (714) 637-1252
Fax: (714) 637-0491
<http://www.skbcases.com>

This drawing and all information details are the sole property of SKB Corporation, Orange CA. Any unauthorized use will be punished to the full extent of the law.

Case Series:	Mil - Standard	Dimensions (for reference only)			
		Length	Width	Overall	Base / Lid
Case part#	3R2727-18				
		left to right	front to back	height	height
Weight:	37.4 LBS EMPTY	31.00"	30.75"	20.53"	15.65"-4.88"
		Interior	27.00"	27.00"	18.00"
		Exterior	27.00"	27.00"	14.37"-3.63"

5

↑

4

3

2

1